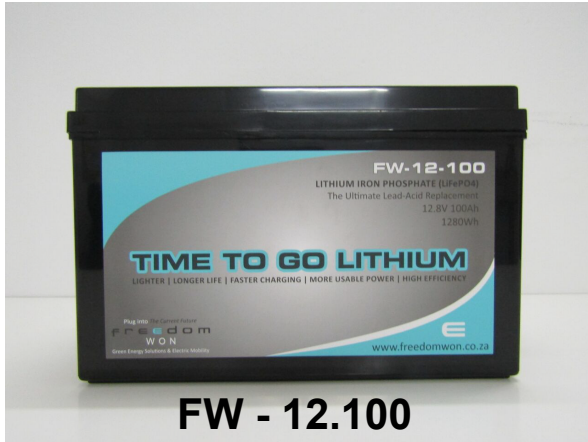
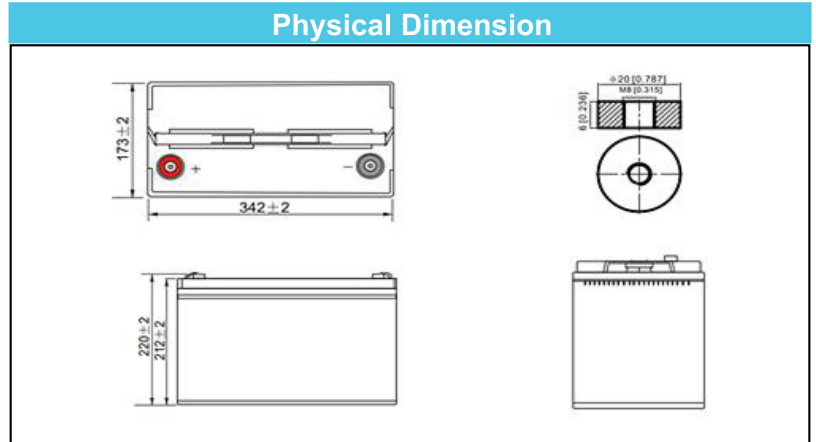


Lithium Iron Phosphate (LiFePO4) Battery



FW - 12.100



Specification:

Electrical Characteristics	Nominal Voltage	12.8V
	Nominal Capacity	100AH
	Energy	1280Wh
	Internal Resistance	≤ 20mΩ
	Cycle life	>2000 cycles at 0.2C 100% DOD
	Months Self Discharge	<3%
	Efficiency of Charge	100% at 0.5C
Charge	Efficiency of discharge	96~99% at 1C
	Charge volt	14.6+/-0.2V
	Charge Mode	CC at 0.2C to 14.6V, then at CV14.6V to charge current less than 0.02C
	Charge Current	20 A
	Max. Charge current	50A
Discharge	Charge cut off voltage	15.6V+/-0.2V
	Max. Continuous Current	100A
	Max. Pulse Current	200A (<3s)
Environment	Discharge Cut-off Voltage	8V
	Charge Temperature	0°C to 45°C (32F to 113F) at 60±25% Relative Humidity
	Discharge Temperature	- 20°C to 60°C (-4F to 140F) at 60±25% Relative Humidity
	Storage Temperature	0°C to 40°C (32F to 104F) 60±25% Relative Humidity
Mechanical	Water Dust Resistance	IP56
	Cell material	LiFePO4
	Plastic Case	ABS
	Dimensions (in./mm)	342*173*220 mm
	Weight (lbs./kg.)	13.6KG
BMS	Terminal	M6
	Protection function	Over charge protection, Over discharge protection, Over current protection, Short current protection, Balanced function, Temperature protection

Discharge Characteristic

